



REFRIGERATION AND
AIR CONDITIONING

Instructions

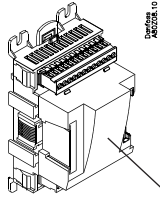
AK-XM 103A



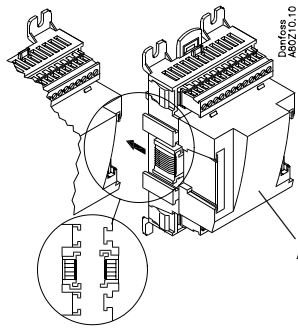
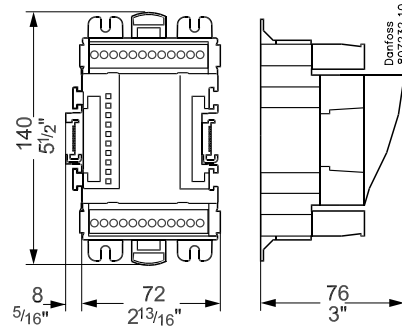
080R9285



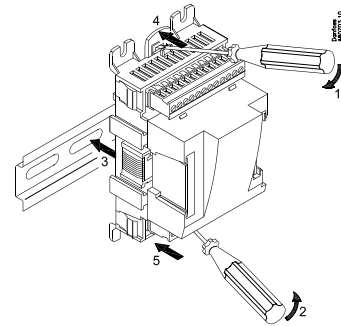
R18NJ202



080Z0032



AK-XM 103A



CE

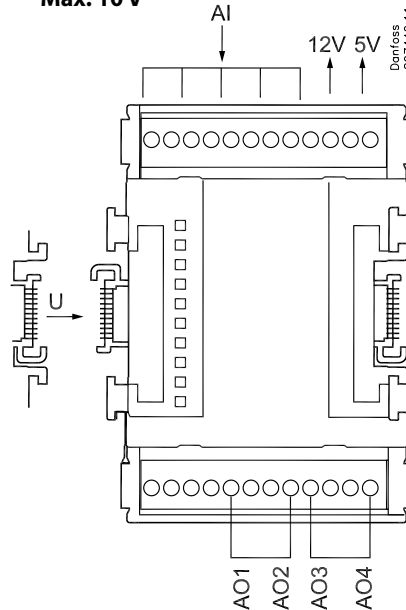
-20° < t_{amb} < 55°C
-0°F < t_{amb} < 130°F
0 - 95% RH, non condensing
IP10 / VBG4
UL: E166834



Warning
Ensure power is
disconnected before
adding or removing
Modules

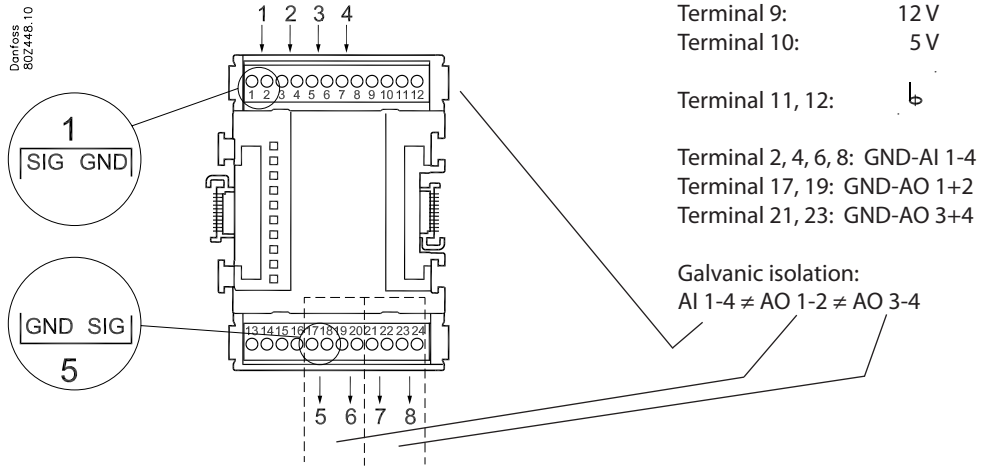
AI x 4
AO x 4

Max. 10 V

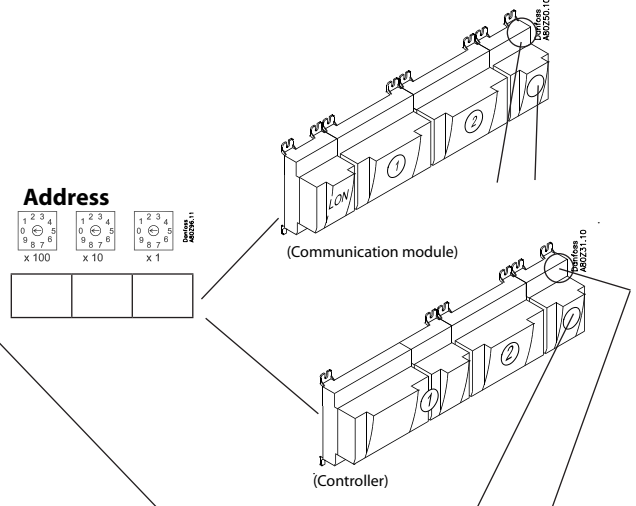


Max. 2.5 mA

Point



AI	Signal	Signal type
S (sensor) Pt 1000 ohm/0°C	S1 S2 Saux1 SSA2 SSA SdA	Pt 1000
P (pressure) AKS 32R AKS 32	P0A P0B PcA PcB	AKS 32R -1 - xx bar AKS 32 -1 - zz bar
U (voltage)	...	0 - 5 V 0 - 10 V
On/Off	Ext. Main switch Day/Night Door	Active at: Closed / Open
AO		0-10 V



Signal	Signal type / Active at	Module	Point	Terminals
			1 (AI 1)	1 - 2
			2 (AI 2)	3 - 4
			3 (AI 3)	5 - 6
			4 (AI 4)	7 - 8
			5 (AO 1)	17 - 18
			6 (AO 2)	19 - 20
			7 (AO 3)	21 - 22
			8 (AO 4)	23 - 24

The Product contains electrical components And may not be disposed together with domestic waste. Equipment must be separate collected with Electrical and Electronic waste. According to Local and currently valid legislation.